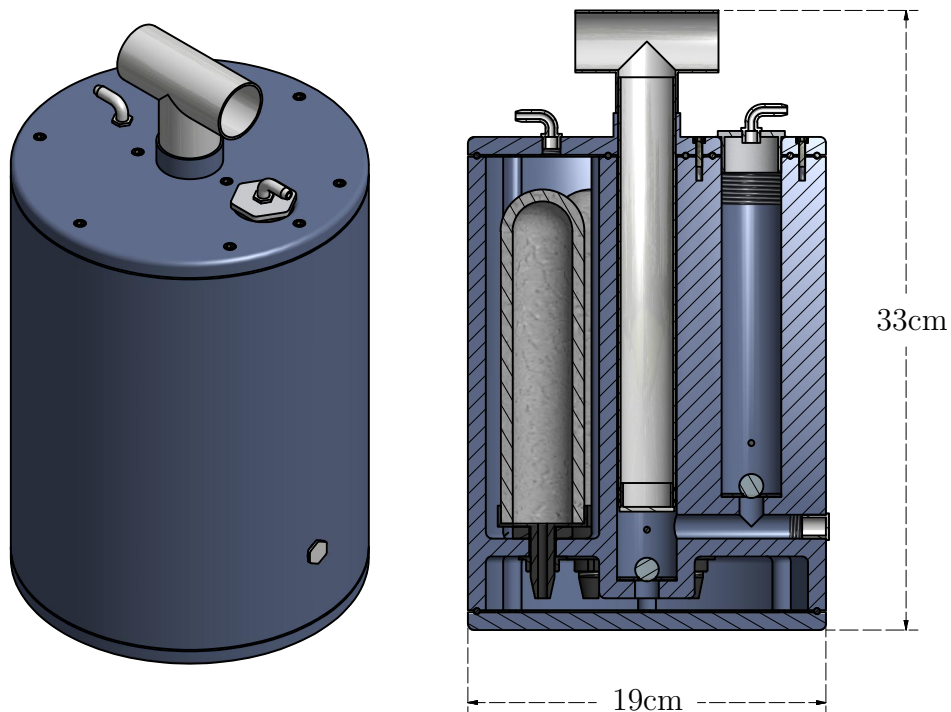


# Hand-Powered Water Filter

## Detail and Assembly



**Version 4.00**

Patent Pending

Last Updated October 12, 2017

Christopher Bulkley - Logston

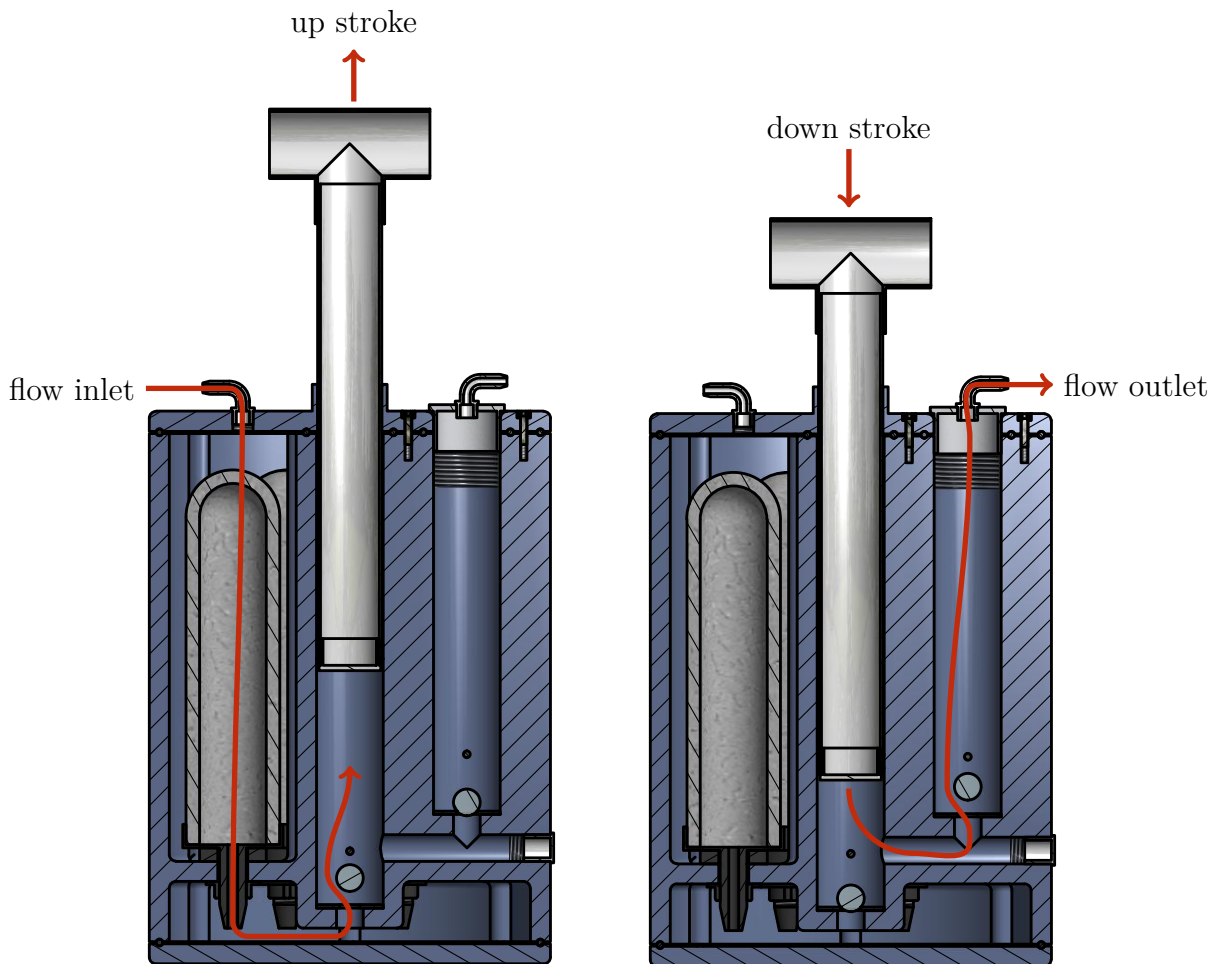
Kaylea Brase

Sushant Bamane

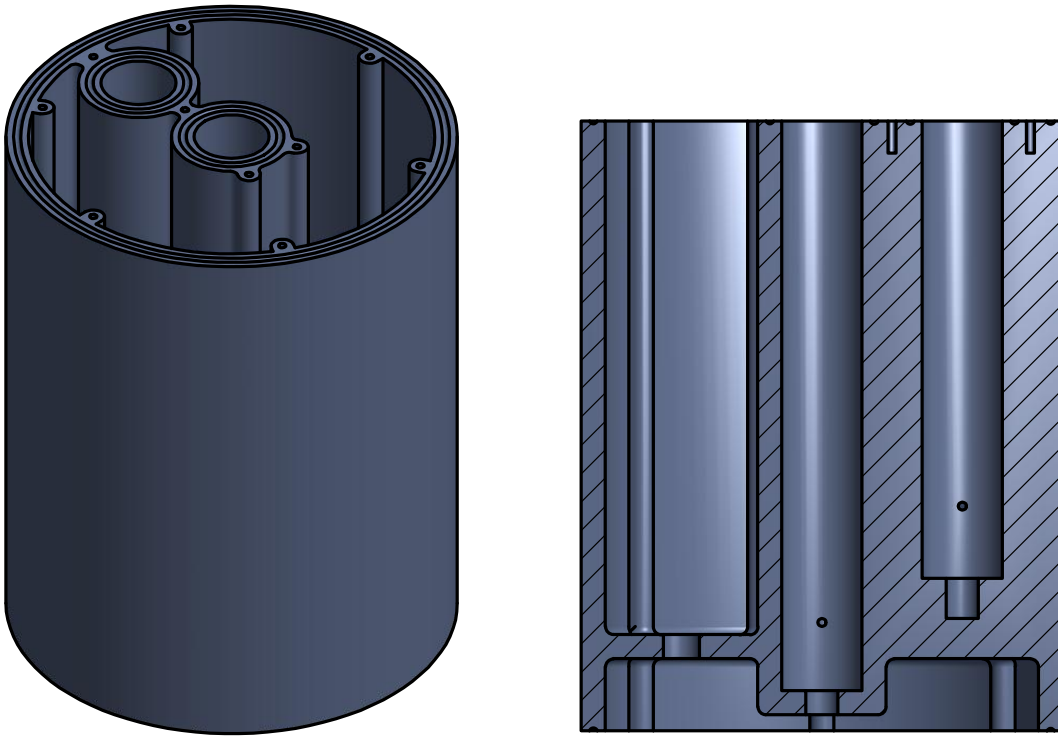
Media Specifications (in order of flow)

media	specification	removes
ceramic filter candle	0.01 – 0.1 $\mu m$ nominal pore size	sediment, microbes

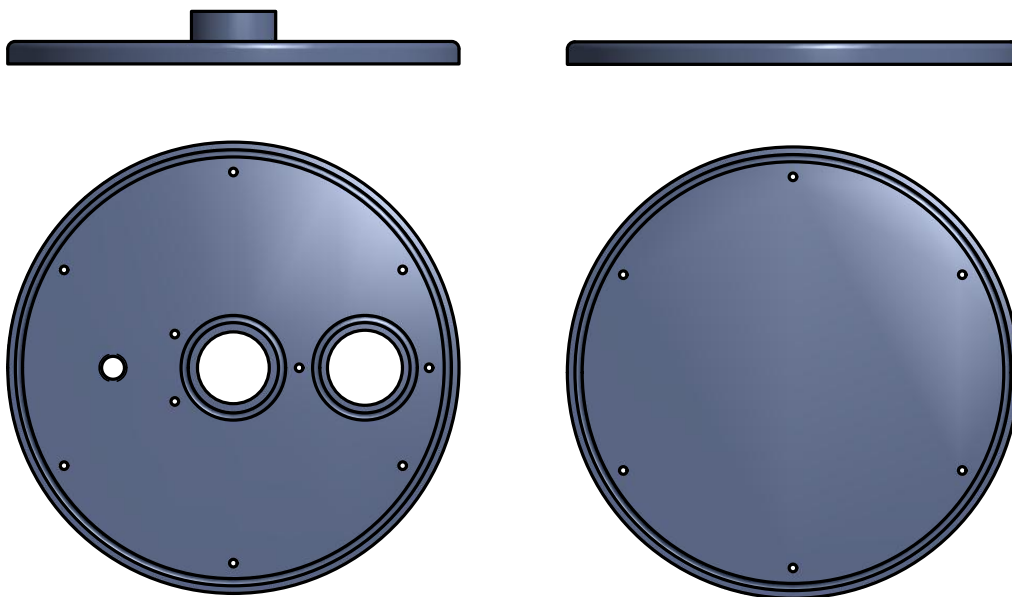
Flow Detail



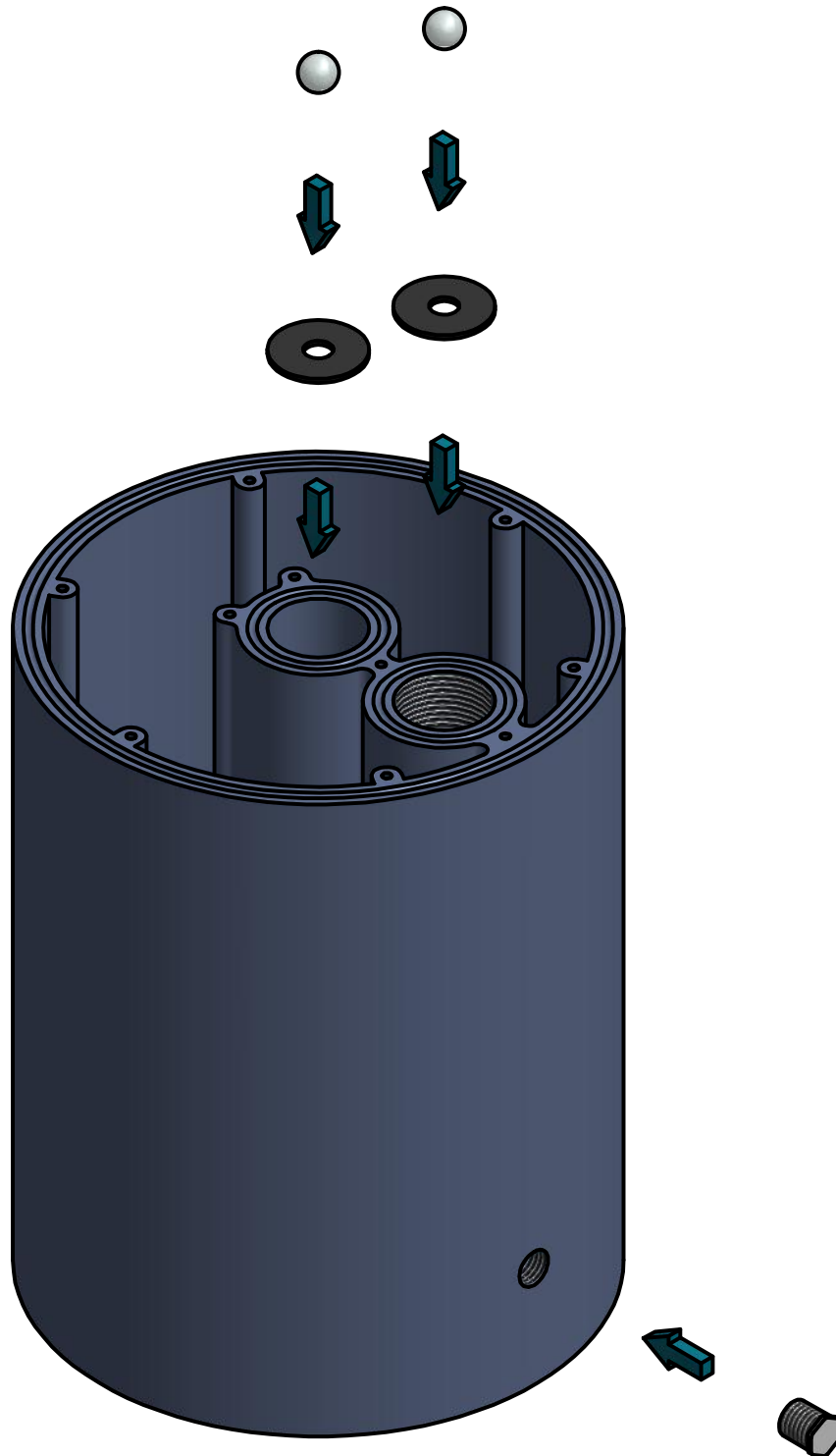
Custom made part A - main enclosure



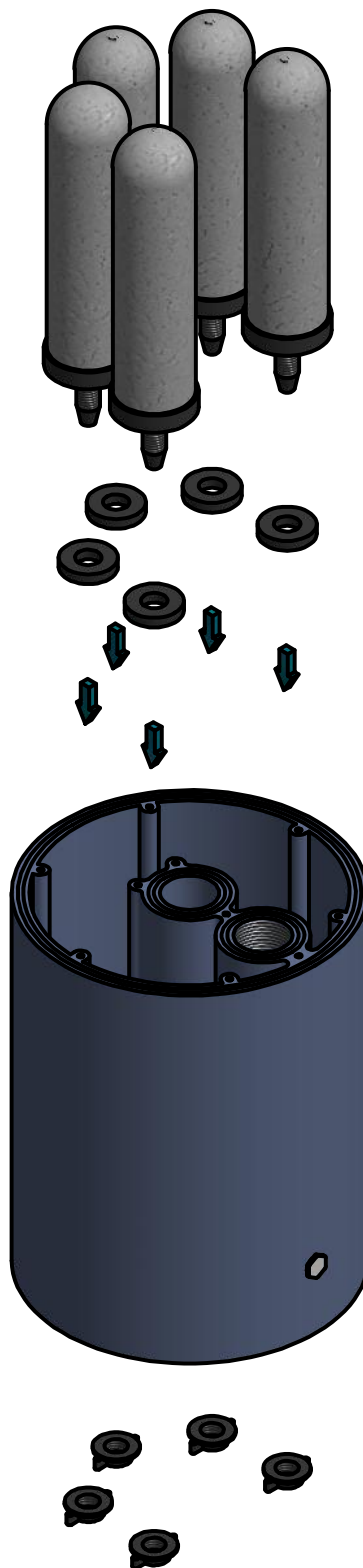
Custom made parts B and C - enclosure top and bottom



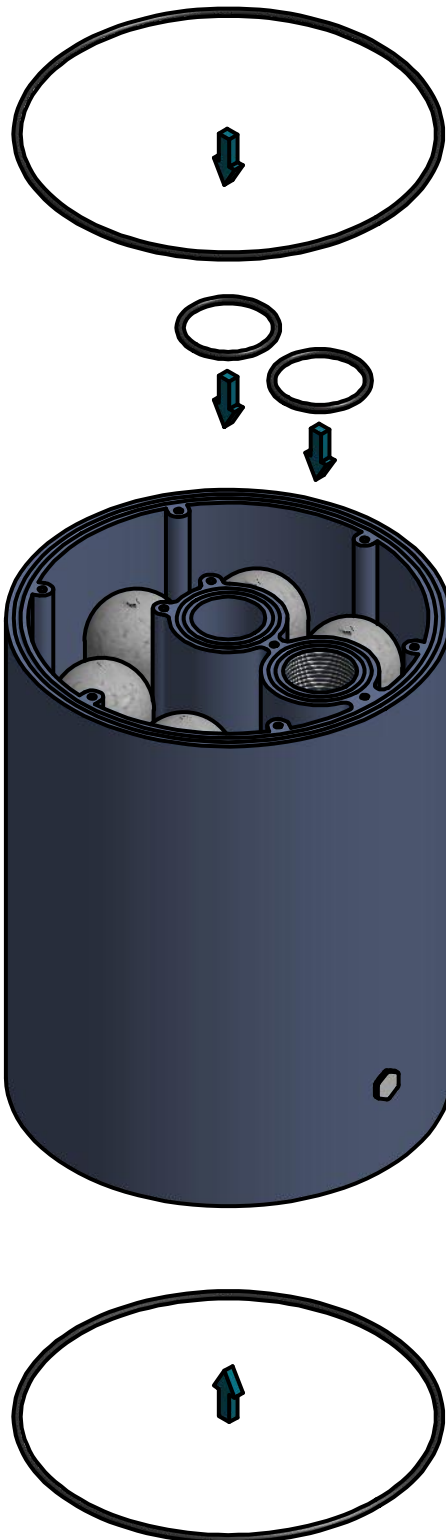
**Step 01:** Insert 2 marbles, 2 gaskets and a 1/4" threaded plug into enclosure.



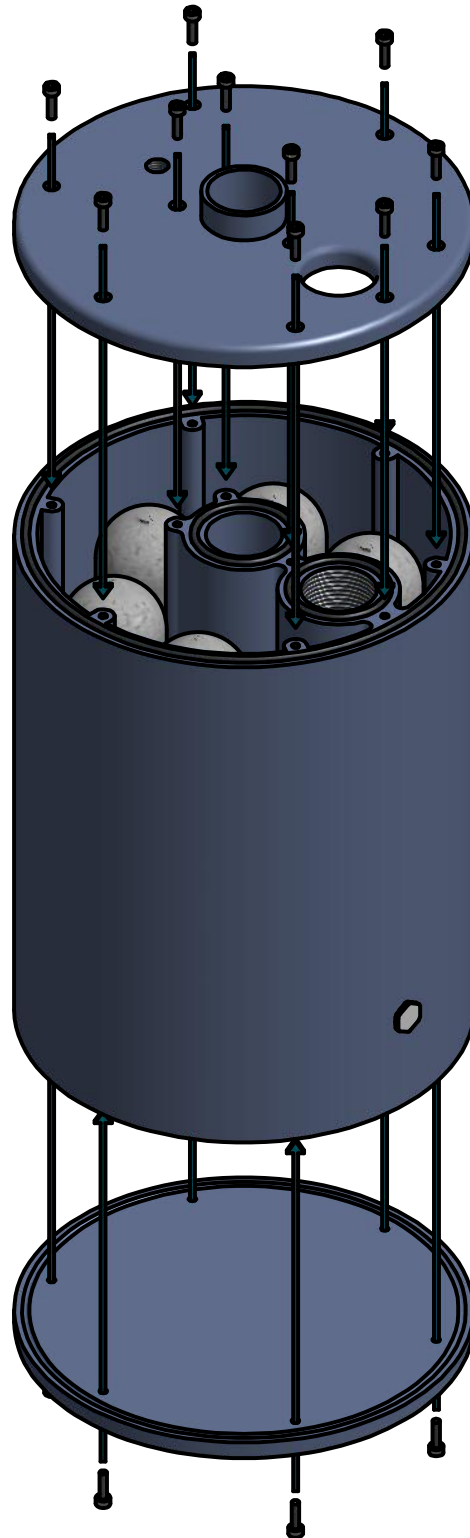
**Step 02:** Insert up to 5 ceramic gravity filter candles.



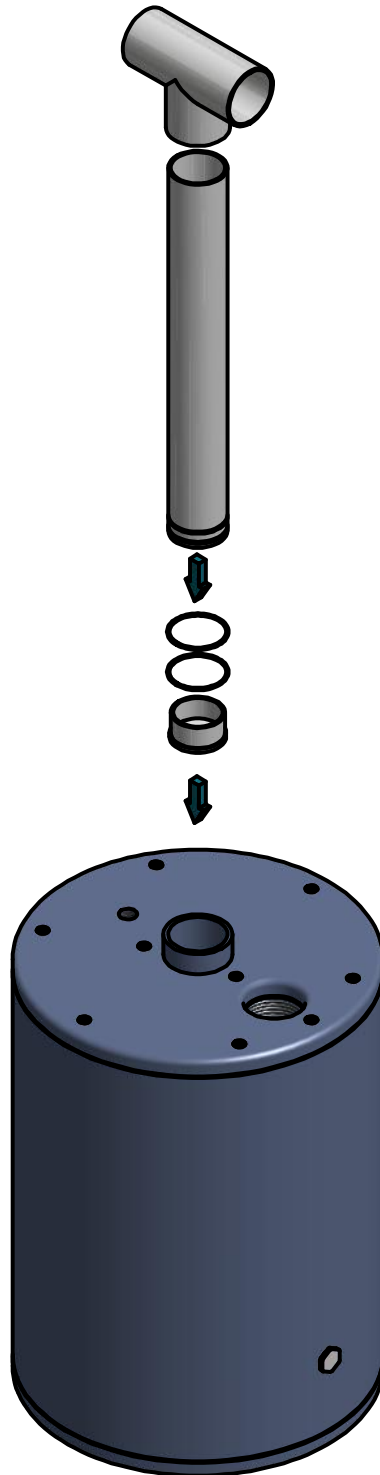
**Step 03:** Seat o-rings.



**Step 04:** Fasten top and bottom.



**Step 05:** Attach o-rings to piston plunger assembly and insert.





**Step 06:** Insert fittings for inlet and outlet.

