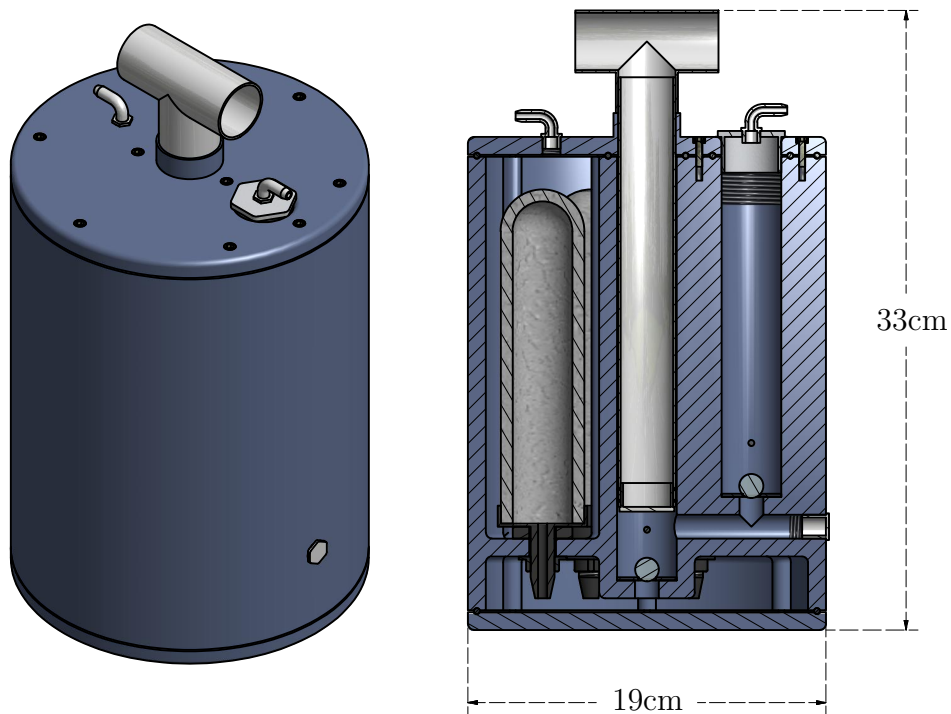


Hand-Powered Water Filter

Detail and Assembly



Version 6.00

Patent Pending

Last Updated September 11, 2017

Christopher Bulkley - Logston

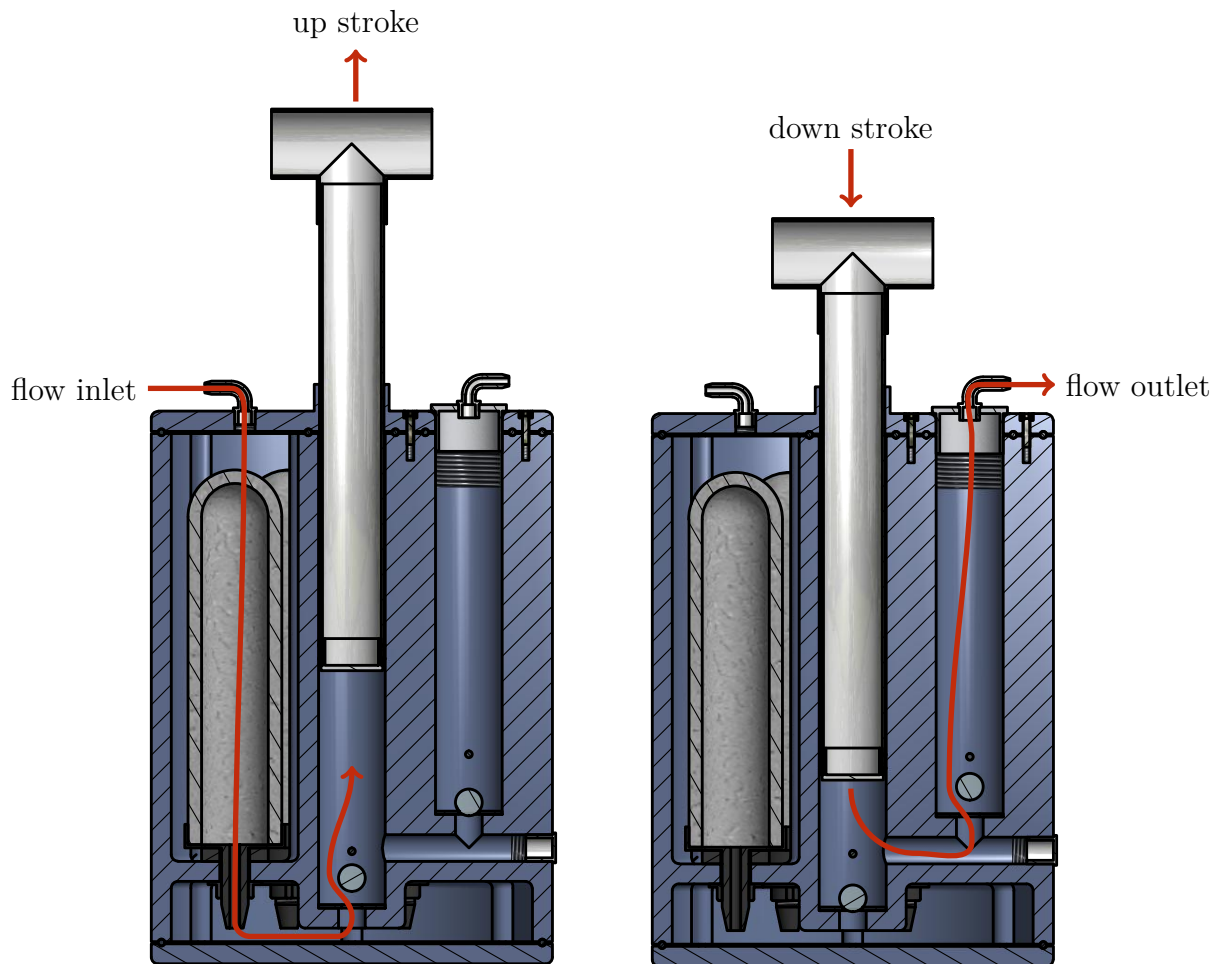
Kaylea Brase

Sushant Bamane

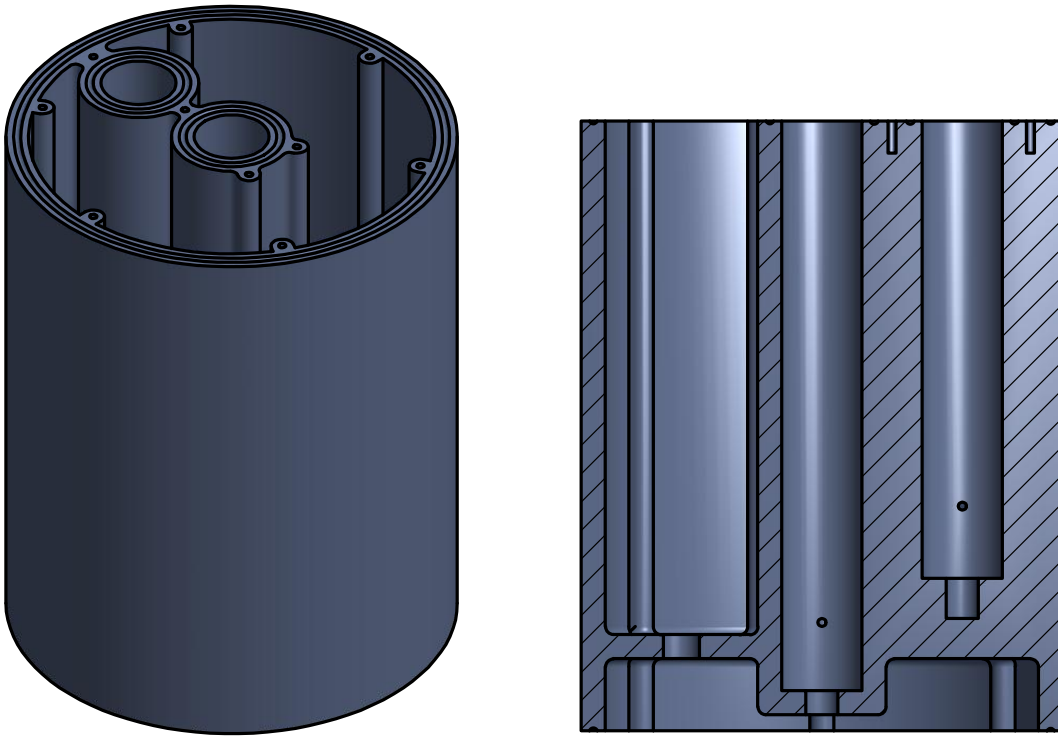
Media Specifications (in order of flow)

media	specification	removes
ceramic filter candle	0.01 – 0.1 μm nominal pore size	sediment, microbes

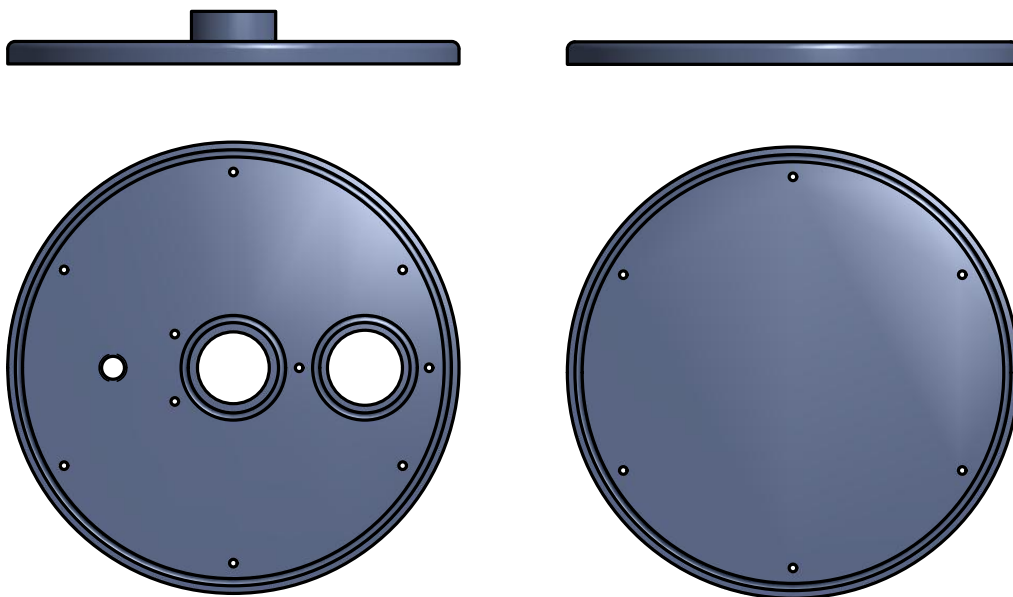
Flow Detail



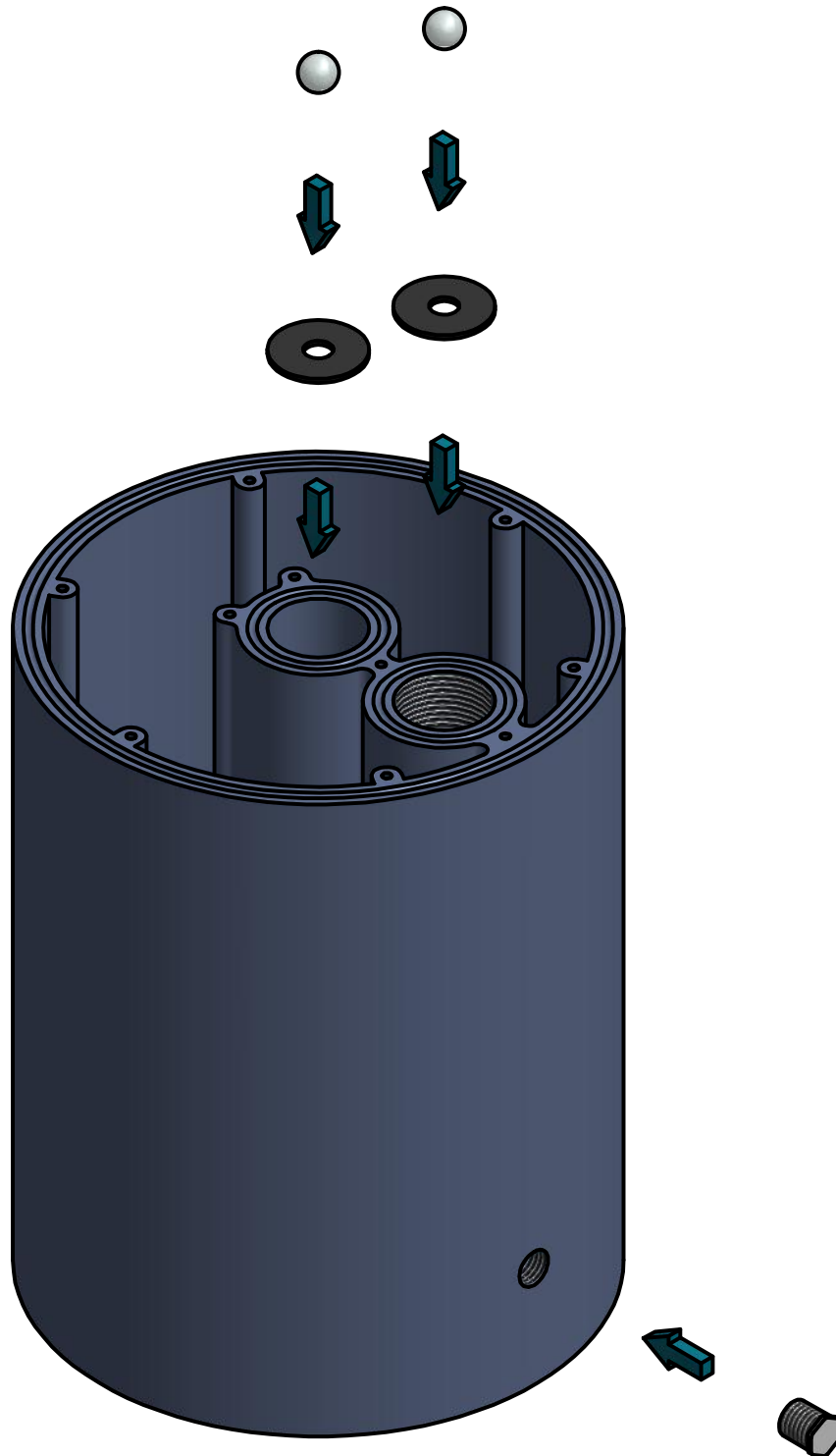
Custom made part A - main enclosure



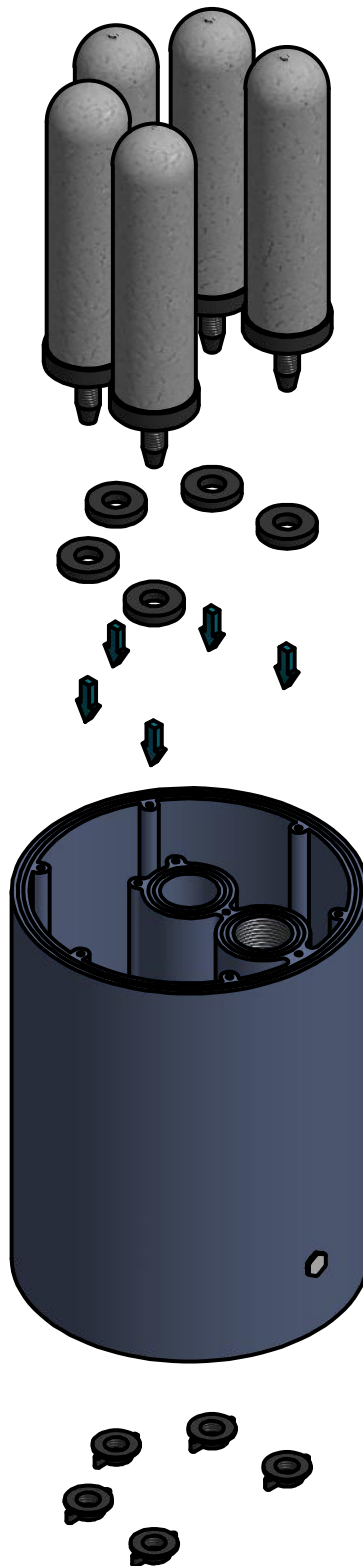
Custom made parts B and C - enclosure top and bottom



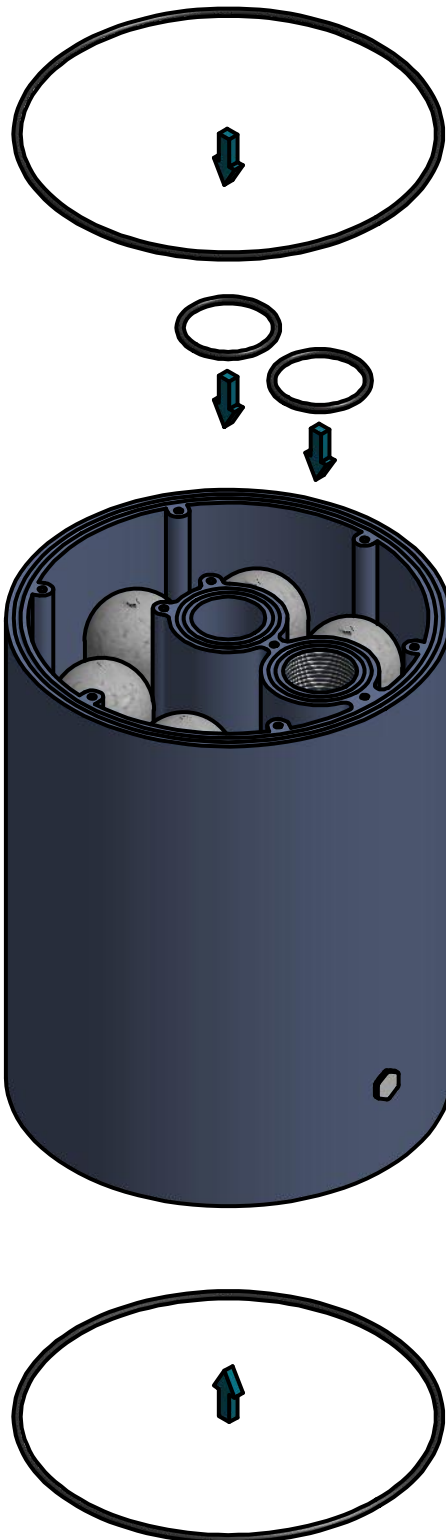
Step 01: Insert 2 marbles, 2 gaskets and a 1/4" threaded plug into enclosure.



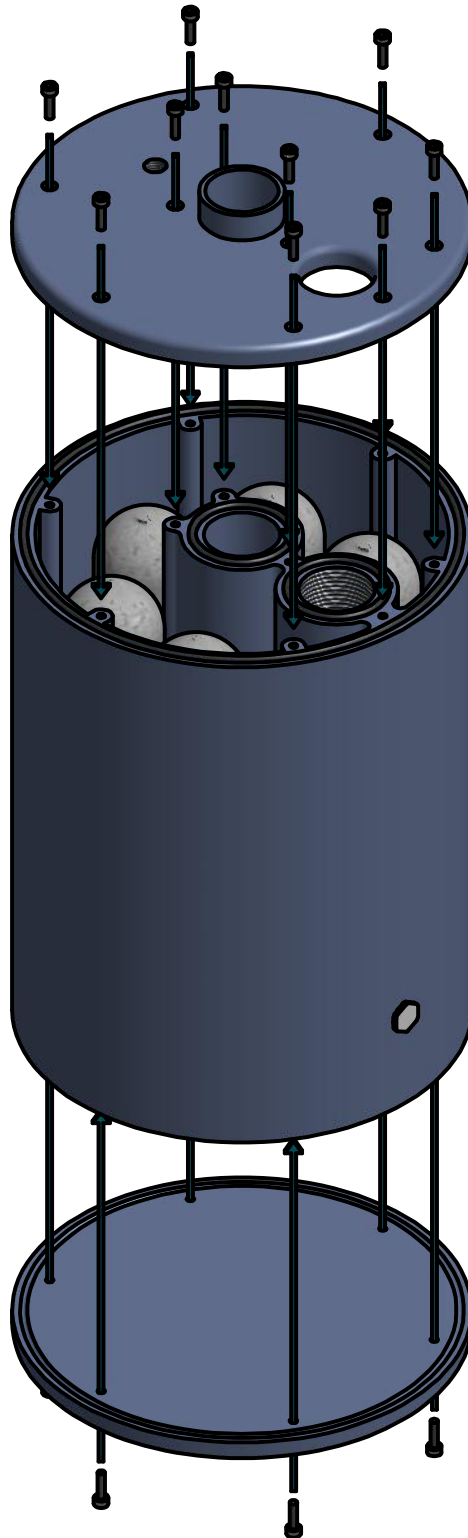
Step 02: Insert up to 5 ceramic gravity filter candles.



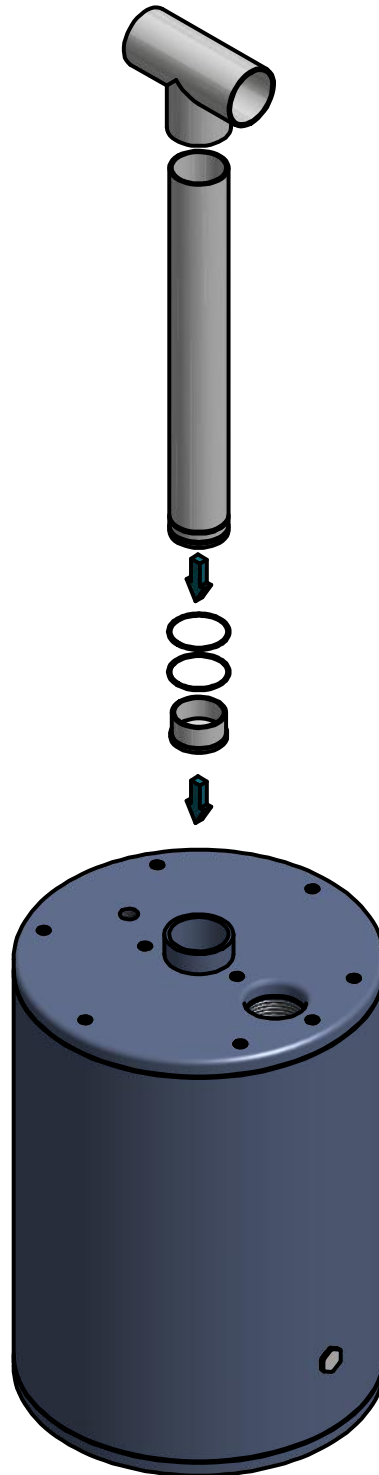
Step 03: Seat o-rings.



Step 04: Fasten top and bottom.



Step 05: Attach o-rings to piston plunger assembly and insert.



Step 06: Insert fittings for inlet and outlet.

